

#50355  
UPH Arm Chair 2in

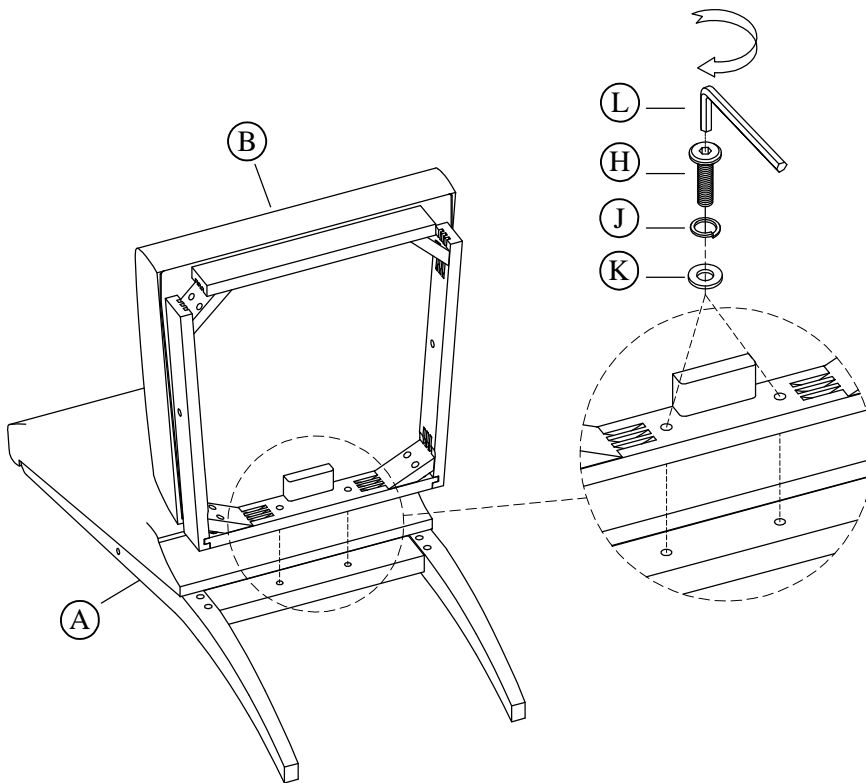
**Warning :**

- Be sure to check all packing material carefully for small parts, which may have come loose inside the carton during shipment.
- To prevent possible scratches and damage, this furniture must be assembled on a soft surface such as a blanket or carpet.

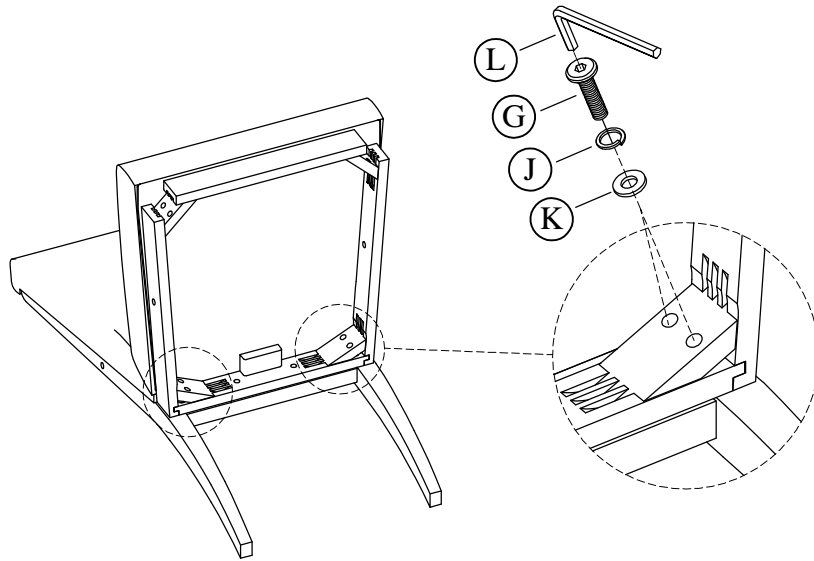
**Components and Hardware List**

<p>Back Chair</p> <p>(A) 1 pc.</p>	<p>Seat Cushion</p> <p>(B) 1 pc.</p>	<p>Arm Chair (Left)</p> <p>(C) 1 pc.</p>	<p>Arm Chair (Right)</p> <p>(D) 1 pc.</p>	<p>Front Leg (Left)</p> <p>(E) 1 pc.</p>		
<p>Front Leg (Right)</p> <p>(F) 1 pc.</p>	<p>Allen Head Bolt Ø5/16"-18 x 3-1/8"</p> <p>(G) 4 pcs.</p>	<p>Allen Head Bolt Ø5/16"-18 x 1-3/4"</p> <p>(H) 4 pcs.</p>	<p>Allen Head Bolt Ø5/16"-18 x 2-1/8"</p> <p>(I) 4 pcs.</p>	<p>Spring Washer Ø5/16"</p> <p>(J) 12 pcs.</p>	<p>Flat Washer Ø5/16" x 19*2mm</p> <p>(K) 12 pcs.</p>	<p>Allen Key 5mm</p> <p>(L) 1 pc.</p>
<p>Allen Head Bolt Ø1/4"-20 x 1-1/2"</p> <p>(M) 2 pcs.</p>	<p>Flat Washer Ø1/4" x 12*2mm</p> <p>(N) 2 pcs.</p>	<p>Allen Key 4mm</p> <p>(P) 1 pc.</p>	<p>Wood Plug Ø13*10</p> <p>(Q) 2 pcs.</p>			

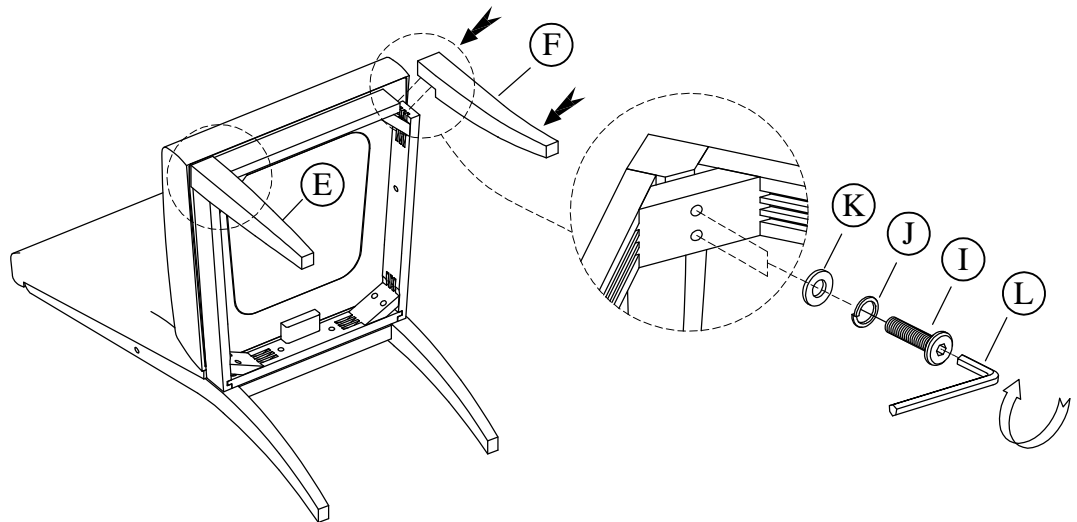
**STEP 1:**



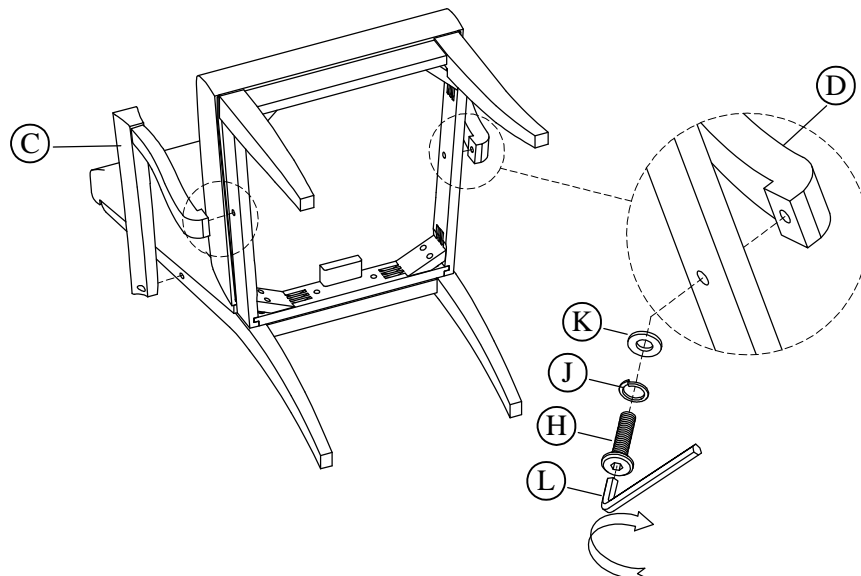
STEP 2:



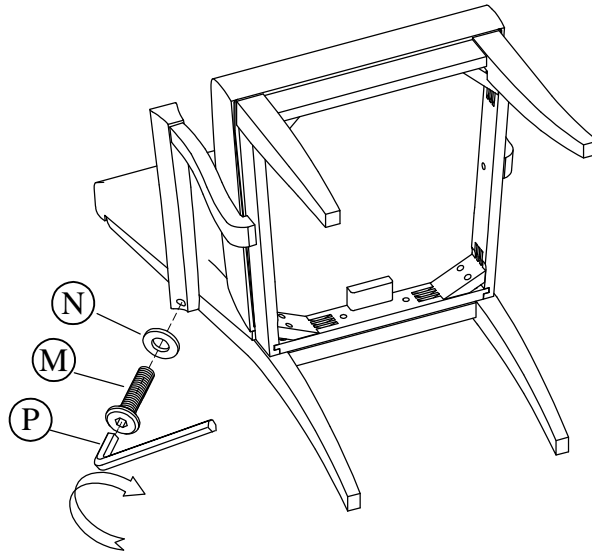
STEP 3:



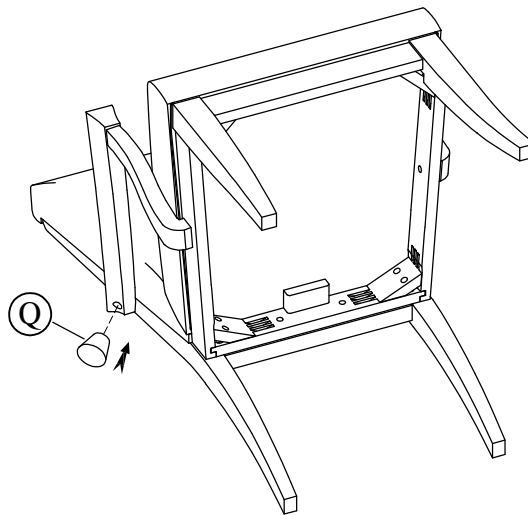
STEP 4:



STEP 5:



STEP 6:



Complete

